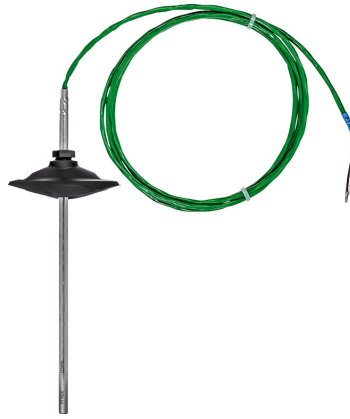


**Cable Temperature Sensor**

Cable type temperature sensor with adjustable rubber mounting flange for measuring temperature in FCU, AHU and VAV applications. Incorporates a stainless steel probe and plenum rated cable.


**Type Overview**

Type	Output signal	Probe length	Probe diameter
01CT-5BL	PT1000	4" [100 mm]	0.24" [6 mm]
01CT-5BP	PT1000	8" [200 mm]	0.24" [6 mm]
01CT-5LL	NTC10k2	4" [100 mm]	0.24" [6 mm]
01CT-5LP	NTC10k2	8" [200 mm]	0.24" [6 mm]
01CT-5ML	NTC10K3	4" [100 mm]	0.24" [6 mm]
01CT-5MP	NTC10K3	8" [200 mm]	0.24" [6 mm]
01CT-5QL	NTC20K	4" [100 mm]	0.24" [6 mm]
01CT-5QP	NTC20K	8" [200 mm]	0.24" [6 mm]

**Technical Data**

<b>Electrical Data</b>	Electrical connection	cable 6.5 ft. [2 m], 2-wire
	Cable specification	1 pair shielded plenum cable, 22AWG tinned copper, green jacket, -40°F to 300°F (-40°C to 150°C), 300 V
<b>Functional Data</b>	Output signal passive temperature	PT1000 NTC10k2 NTC10k3 NTC20k
	Media	air water
<b>Measuring Data</b>	Measuring values	temperature
	Measuring range temperature	-30...210 °F [-35...100 °C]
	Accuracy temperature passive	passive sensors depending on used type PT.. = ±0.5 °F @ 32 °F [±0.3 °C @ 0 °C] NTC.. = ±0.3 °F @ 77 °F [±0.2 °C @ 25 °C]

<b>Safety Data</b>	Ambient humidity	85% RH non-condensing
	Ambient temperature	-30...210 °F [-35...100 °C]
	Medium temperature	-30...210 °F [-35...100 °C]
	Protection class IEC/EN	III protective extra-low voltage (peLv)
	Protection class UL	UL Class 2 Supply
	EU Conformity	CE-Kennzeichnung
	Certification IEC/EN	IEC/EN 60730-1 and IEC/EN 60730-2-9
	Certification UL	cULus acc. to UL60730-1A/-2-9, CAN/CSA E60730-1:02/-2-9, CE acc. to 2004/108/EC and 2006/95/EC, NEMA 4X, IP67
	Degree of protection IEC/EN	IP67
	Degree of protection NEMA/UL	NEMA 4X
Quality Standard	ISO 9001	

**Safety Notes**


The installation and assembly of electrical equipment should only be performed by authorized personnel.

This device has been designed for use in stationary heating, ventilation and air conditioning systems and must not be used outside the specified field of application. Unauthorised modifications are prohibited. The product must not be used in relation with any equipment that in case of a failure may threaten human, animals or assets.

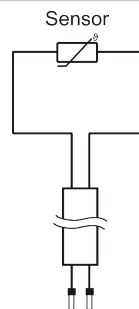
Ensure all power is disconnected before installing. Do not connect to live/operating equipment.

Please comply with

- Local laws, health & safety regulations, technical standards and regulations
- Condition of the device at the time of installation, to ensure safe installation
- This data sheet and installation manual

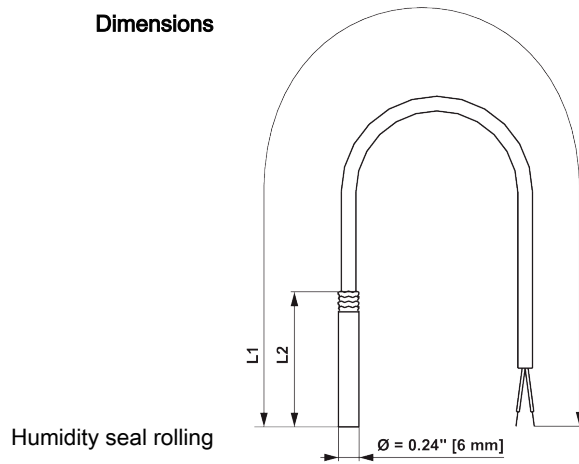
**Scope of delivery**

mounting flange

**Wiring Diagram**


## Dimensions

## Dimensions



Humidity seal rolling

L1: cable length

L1 = 6.56 ft [2 m]

L2: pocket length

L2 = 1.97\" [50 mm] / 3.94\" [100 mm] / 7.87\" [200 mm]

Type	Probe length	Weight
01CT-5BL	4\" [100 mm]	0.15 lb [0.070 kg]
01CT-5BP	8\" [200 mm]	0.18 lb [0.080 kg]
01CT-5LL	4\" [100 mm]	0.15 lb [0.070 kg]
01CT-5LP	8\" [200 mm]	0.18 lb [0.080 kg]
01CT-5ML	4\" [100 mm]	0.15 lb [0.070 kg]
01CT-5MP	8\" [200 mm]	0.18 lb [0.080 kg]
01CT-5QL	4\" [100 mm]	0.15 lb [0.070 kg]
01CT-5QP	8\" [200 mm]	0.18 lb [0.080 kg]