

**Differential Pressure Switch**

For monitoring overpressure, vacuum and differential pressure of air or other non-combustible, non-aggressive gases for both HVAC and energy management applications. Automatic reset and field adjustable setpoints and switching hysteresis.


**Type Overview**

Type	Measuring range diff. pressure	Measuring range diff. pressure	Repeating accuracy	Switching differential [pressure]
01APS-50R	0.08...1.20 inch WC	20...300 Pa	±5%, min. ±0.02 inch WC [5 Pa]	0.04 inch WC [10 Pa]
01APS-50U	0.20...2.00 inch WC	50...500 Pa	±2.5%, min. ±0.02 inch WC [5 Pa]	0.08 inch WC [20 Pa]
01APS-501	0.80...4.00 inch WC	200...1000 Pa	±1%, min. ±0.02 inch WC [5 Pa]	0.4 inch WC [100 Pa]
01APS-504	2.00...10.00 inch WC	500...2500 Pa	±1%, min. ±0.02 inch WC [5 Pa]	0.6 inch WC [150 Pa]

**Technical Data**

<b>Electrical Data</b>	Electrical connection	terminals for wire 0.5...1.5 mm <sup>2</sup>
	Cable entry	Cable gland with strain relief Ø6...8 mm (1/2" NPT conduit adapter included)
<b>Functional Data</b>	Output signal switch note	contact current max. 1.0 A (0.4) / AC 250 V
	Media	air
<b>Measuring Data</b>	Measuring values	differential pressure
	Measuring media	air, non-combustible and non-aggressive gases
<b>Materials</b>	Housing	base: PA 6.6 cover: ps
<b>Safety Data</b>	Burst pressure	10 kPa / 40 inch WC
	Ambient humidity	max. 95% r.H. non-condensing
	Ambient temperature	-5...140°F [-20...60°C]
	Medium temperature	-5...140°F [-20...60°C]
	Storage temperature	-40...185°F [-40...85°C]
	EU Conformity	CE-Kennzeichnung
	Certification IEC/EN	IEC/EN 60730-1
	Certification UL	ETL listed, UL508, CSA C22.2 No.14
	Degree of protection IEC/EN	IP54
	Degree of protection NEMA/UL	NEMA 3
Quality Standard	ISO 9001	

**Safety Notes**



The installation and assembly of electrical equipment should only be performed by authorized personnel.

This device has been designed for use in stationary heating, ventilation and air conditioning systems and must not be used outside the specified field of application. Unauthorised modifications are prohibited. The product must not be used in relation with any equipment that in case of a failure may threaten human, animals or assets.

Ensure all power is disconnected before installing. Do not connect to live/operating equipment.

Please comply with

- Local laws, health & safety regulations, technical standards and regulations
- Condition of the device at the time of installation, to ensure safe installation
- This data sheet and installation manual

**Remarks**

**Recommended installation positions**

The specifications for the switching pressure refer to a vertical installation position, which is also recommended with downward pressure connections. For horizontal mounting position with upwards directed AMP connecting lugs, the switching values are approx. 20 Pa higher.

It is not permitted to mount the pressure switch upside down!

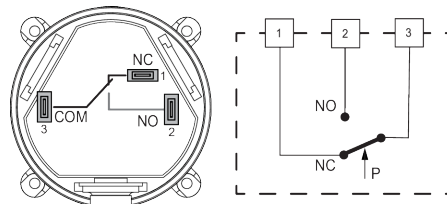
**Scope of delivery**

- PVC tube 2 m
- 2 x Duct connectors (plastic)

**Accessories**

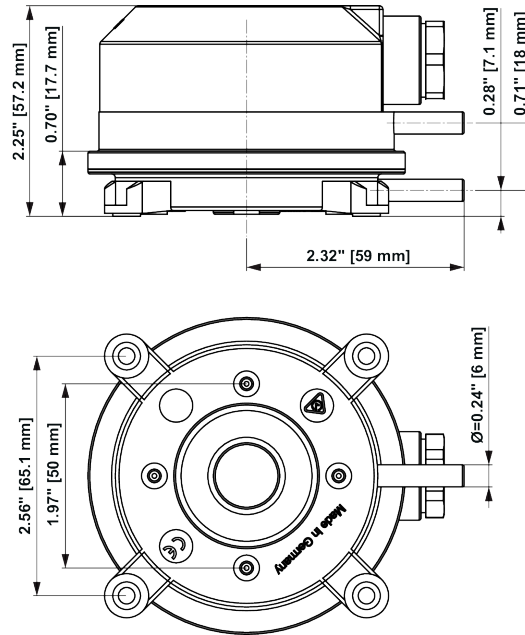
Optional accessories	Description	Type
	(328447) Description text sensor accessory1	A-22AP-A06
	(328447) Description text sensor accessory1	A-22AP-A07
	(328447) Description text sensor accessory1	A-22AP-A11.1
	(328448) Description text sensor accessory2	A-22AP-A05.1

**Wiring Diagram**



Dimensions

Dimensions



Type	Weight
01APS-50R	0.33 lb [0.15 kg]
01APS-50U	0.33 lb [0.15 kg]
01APS-501	0.33 lb [0.15 kg]
01APS-504	0.33 lb [0.15 kg]